

Supply Arrangement Deliverables for Work Surfaces

E60PQ-140003/077/PQ
CATEGORY 2

Revised January 25th 2020



AnthroDesk Products

E60PQ-140003/077/PQ

Category 2 - Freestanding height adjustable work surfaces

GENERAL TERMS AND CONDITIONS

Prices shown in the product spec sheet are subject to change at any time.

The prices shown in the catalog will not exceed the Ceiling Price of the GoCUID as submitted to PSPC.

Prices shown do not include freight, installation, or applicable taxes.

Please be advised that the GoCUID shown in the catalog may be applicable to multiple products, depending on the combination of components and finishes. The price shown is specific to the combination shown in the catalog and will never exceed the ceiling price as submitted to PSPC.

Due to different client needs, the final pricing may differ from what is listed, for more information please contact your Government Sales Representative.

The catalog does not include information on the full available finishes and compatible configurations.

Please contact your Government Sales Representative for full finish specifications.

Images shown in this catalog are for representation purposes only. The actual product may differ based on size, finish, additional options, or final configuration.

For warranty, care, and installation instructions please visit your product's page on our website, contact support, or your Government Sales Representative.

The catalog may be updated periodically, the most recent version can be accessed on our website.

AnthroDesk Products

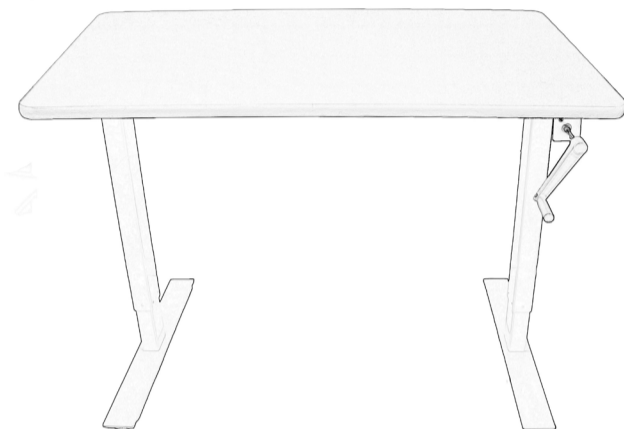
E60PQ-140003/077/PQ

Category 2 - Freestanding height adjustable work surfaces

Application Instructions:

-All height adjustable tables include the necessary tools for installation of the frame, a drill may be required for attaching the work surface to the frame.

Crank - Laminate (Sit Stand Individual Height Adjustable Work Surface)



GoCUID / CIUGdC	Price	Shape	Depth Width Diameter	Length	Height	Manufacturer
2WSSREXXL24L48BCKXX	\$450.00	Rectangular	24	48	24 to 34	Waltz
2WSSREXXL30L48BCKXX	\$470.00	Rectangular	30	48	24 to 34	Waltz
2WSSREXXL30L60BCKXX	\$520.00	Rectangular	30	60	24 to 34	Waltz
2WSSREXXL30L72BCKXX	\$560.00	Rectangular	30	72	24 to 34	Waltz

Crank - Wood Veneer (Sit Stand Individual Height Adjustable Work Surface)



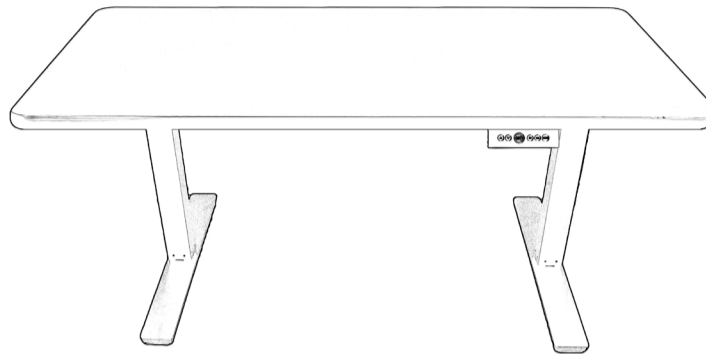
GoCUID / CIUGdC	Price	Shape	Depth Width Diameter	Length	Height	Manufacturer
2WSSREXXW30L48BCKXX	\$545.00	Rectangular	30	48	24 to 34	Waltz
2WSSREXXW30L60BCKXX	\$575.00	Rectangular	30	60	24 to 34	Waltz

AnthroDesk Products

E60PQ-140003/077/PQ

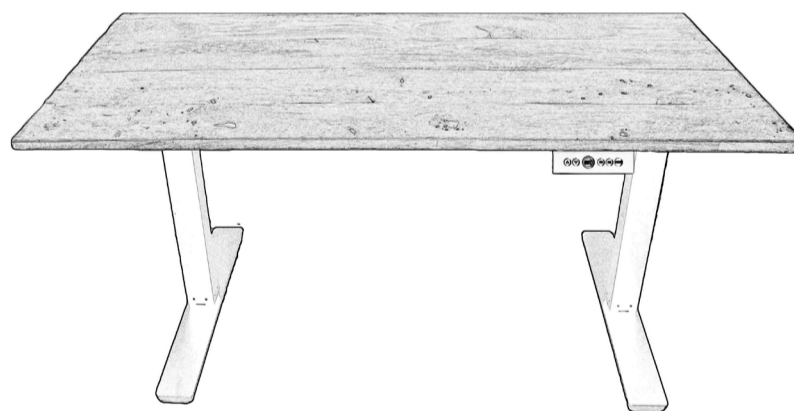
Category 2 - Freestanding height adjustable work surfaces

Electric - Laminate (Sit Stand Individual Height Adjustable Work Surface)



GoCUID / CIUGdC	Price	Shape	Depth Width Diameter	Length	Width	Manufacturer
2WSSREXXL24L48BELXX	\$570.00	Rectangular	24	48	23 to 48.7	Waltz
2WSSREXXL30L48BELXX	\$590.00	Rectangular	30	48	23 to 48.7	Waltz
2WSSREXXL30L60BELXX	\$630.00	Rectangular	30	60	23 to 48.7	Waltz
2WSSREXXL30L72BELXX	\$670.00	Rectangular	30	72	23 to 48.7	Waltz

Electric- Wood Veneer (Sit Stand Individual Height Adjustable Work Surface)



GoCUID / CIUGdC	Price	Shape	Depth Width Diameter	Length	Width	Manufacturer
2WSSREXXW30L48BELXX	\$680.00	Rectangular	30	48	23 to 48.7	Waltz
2WSSREXXW30L60BELXX	\$710.00	Rectangular	30	60	23 to 48.7	Waltz